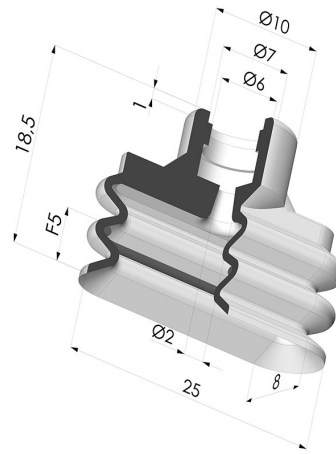


TECHNICAL INFORMATION

- Range :** Suction cup
Category : Oblong
Series : 4VS
Height (in mm) : 18.5
Shape : Oblong 2.5 Bellows
Length : 25
Width : 8
inner barrel diameter : 6
Number of bellows : 2.5 Bellows
Horizontal force : 8.47 N
Vertical force : 4.23 N
Volume : 0.78 cm³
Mass : 1.5 g
Arrow : 5.00 F



Variants:



- Variant reference:
4VS 25SLT A
- Color: Translucent
 - CE food certified
 - Matter: Silicone
 - Shore Hardness: SH60



- Variant reference:
4VS 25NI A
- Color: Black
 - Matter: Nitrile
 - Shore Hardness: SH50



- Variant reference:
4VS 25MNT A
- Color: Bordeaux
 - Matter: Non-staining material for plastics processing
 - Shore Hardness: SH60

Material guide:

	Material	Code	Temperature resistance (°C)	Flexibility	Abrasion resistance	UV/Weather resistance	Oil resistance	Food compatibility	Migration test
	Silicone Translucent (Shore SH60)	SL T	-60/+250	✓✓✓	✓	✓✓✓	✓	FDA **	✗
	Nitrile Black (Shore SH50)	NI	-10/+80	✓	✓	✗	✓✓	✗	✗

Requests for FDA and/or EC certificates must be made AT THE TIME OF ORDER. Any later request will incur additional charges. To meet the expectations of our industrial customers, NOVACOM offers the widest range of elastomer and thermoplastic materials. We can also develop new materials based on precise specifications, in order to solve specific applications for our customers.

Excellent | Good | Low | Poor | Not recommended
 *FDA and/or EC certificate may be requested for various references at the time of order; please contact us.
 ** Food contact certification: (EC) 1935/2004 - (FDA) 21 CFR 177.2600
 *** Food contact certification: (EC) 10/2011 - (FDA) 21 CFR

Related products:



Separable Female Fitting 1/4G

Product reference:
F14CV



Separable Female Fitting 1/8G

Product reference:
F18CV



Separable Male Fitting 1/8G

Product reference:
M18CV



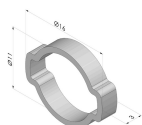
Separable Male Fitting M5

Product reference:
M5CV



Ring for oblong suction cup series 4VS 25

Product reference: 4VS
25 JONC



Clamps for oblong suction cups 4VS 25 series

Product reference: 4VS
C 10