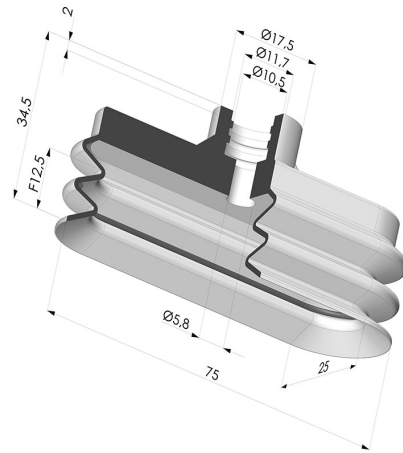


TECHNICAL INFORMATION

Range : Suction cup
Category : Oblong
Series : 4VS
Height (in mm) : 34.5
Height (in mm) : 34.5
Shape : Oblong 2.5 Bellows
Length : 75
Width : 25
inner barrel diameter : 10.5
Number of bellows : 2.5 Bellows
Horizontal force : 77.54 N
Vertical force : 38.77 N
Volume : 20.31 cm³
Mass : 20 g
Arrow : F12.5



Variants:



Variant reference:
4VS 75NI A

- Color: Black
- Matter: Nitrile
- Shore Hardness: SH50



Variant reference:
4VS 75MNT A

- Color: Bordeaux
- Matter: Non-staining material
- Shore Hardness: SH60



Variant reference:
4VS 75SLT A

- Color: Translucent
- CE food certified
- Matter: Silicone
- Shore Hardness: SH60

Related products:



Separable Female Fitting 1/4G

Product reference:
 F14C



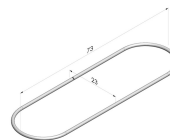
Separable Male Fitting G1/4"

Product reference:
 M14C



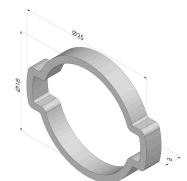
Separable Male Fitting G1/8"

Product reference:
 M18C



Ring for oblong suction cup series 4VS 75

Product reference: 4VS
 75 JONC



Clamps for oblong suction cups 4VS 45 and 4VS 75 series

Product reference: 4VS
 C 20