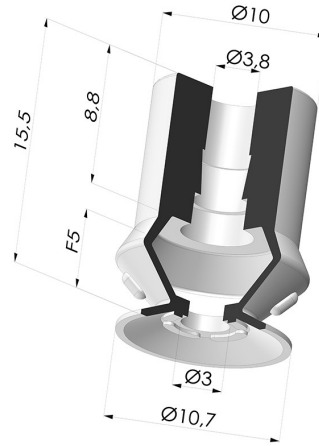


TECHNICAL INFORMATION

Range : Suction cup
Category : With bellows
Series : 8
Height (in mm) : 15.5
Shape : 1.5 Bellows
Contact lip diameter : 10.7 mm
inner barrel diameter : 4mm
Number of bellows : 1.5 Bellows
Outer diameter : 11mm
Horizontal force : 4N
Vertical force : 2N
Arrow : 5mm



Variants:



Variant reference:
82 11SLT A

- Color: Translucent
- CE food certified
- Matter: Silicone
- Shore Hardness: SH60



Variant reference:
82 11SL/RV A

- Color: Bright red
- CE food certified
- Matter: Silicone
- Shore Hardness: SH60



Variant reference:
82 11SLN A AS

- Color: Antistatic black
- Matter: Silicone
- Shore Hardness: SH60

Related products:



Separable Female Fitting G1/4"

Product reference: B



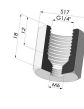
Separable Male Fitting G1/4"

Product reference: C



Separable Female Fitting G1/8"

Product reference: F



Adaptor - Female G1/4" - Female M6

Product reference: F14F6



Adaptor - Female 1/8G - Female M6

Product reference: F18F6



Separable Male Fitting G1/8"

Product reference: G



Adaptor - Male 1/4G - Female M6

Product reference: M14F6



Adaptor - Male 1/8G - Female M6

Product reference: M18F6



Separable Male Fitting M5

Product reference: M5C11



Separable Male Fitting M6

Product reference: M6C



Separable Male Fitting M5

Product reference: M5C

--