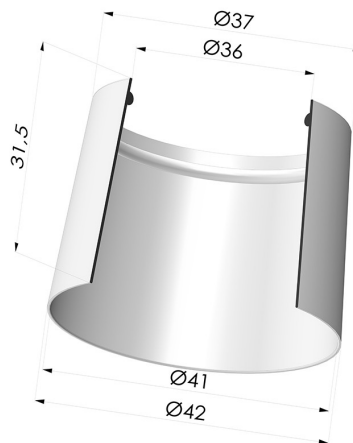


TECHNICAL INFORMATION

Range :	Suction cup
Category :	Plates
Series :	7
Height (in mm) :	31.4
Shape :	Plate
Contact lip diameter :	42 mm
Top diameter :	36 mm
inner barrel diameter :	36 mm
Number of bellows :	0.5 Bellows
Horizontal force :	60 N
Vertical force :	30 N
Arrow :	0 mm



Variants:



Variant reference:

72 42SLT A

- Color: Translucent
- CE food certified
- Matter: Silicone
- Shore Hardness: SH60