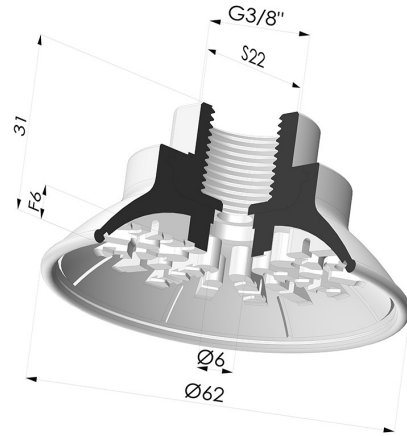
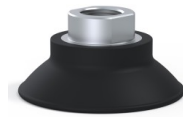


TECHNICAL INFORMATION

Range :	Suction cup
Category :	Plates
Series :	7R
Height (in mm) :	31
Shape :	Plate
Contact lip diameter :	62 mm
Top diameter :	Female G3/8"
inner barrel diameter :	Female G3/8"
Number of bellows :	0.5 Bellows
Horizontal force :	126 N
Vertical force :	63 N
Arrow :	6 mm



Variants:



Variant reference:

7R 62NI F38

- Color: Black
- Matter: Nitrile
- Shore Hardness: SH70