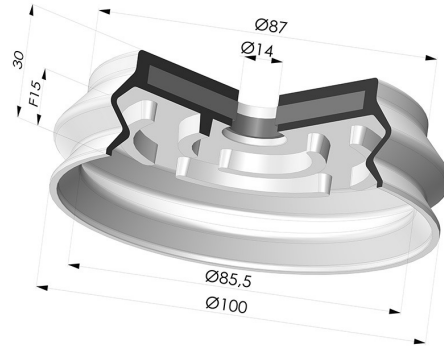


TECHNICAL INFORMATION

Range :	Suction cup
Category :	With bellows
Series :	8SB SPF
Height (in mm) :	30
Shape :	1.5 Bellows
Contact lip diameter :	100 mm
inner barrel diameter :	14mm
Number of bellows :	1.5 Bellows
Horizontal force :	331 N
Vertical force :	165.5 N
Arrow :	15 mm



Variants:



Variant reference:

8SB 100SLB SPF14

- Color: Blue food-grade CE certification
 - Matter: Silicone
- Shore Hardness: SH60