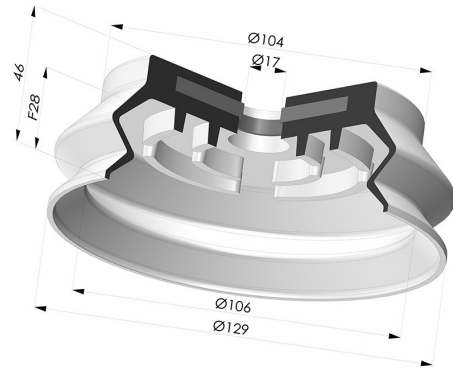


TECHNICAL INFORMATION

Range :	Suction cup
Category :	With bellows
Series :	8SB SPF
Height (in mm) :	46
Shape :	1.5 Bellows
Contact lip diameter :	129 mm
inner barrel diameter :	17mm
Number of bellows :	1.5 Bellows
Horizontal force :	560 N
Vertical force :	280 N
Arrow :	28 mm



Variants:



Variant reference:

8SB 125SLB SPF17

- Color: Blue food-grade CE certification
 - Matter: Silicone
- Shore Hardness: SH60