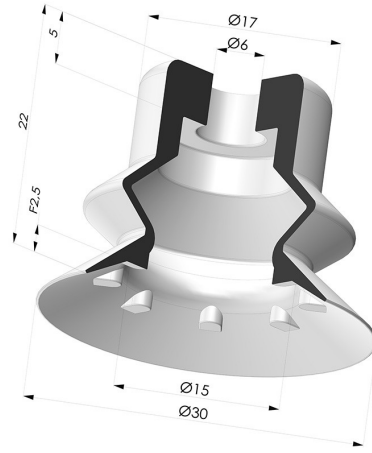


TECHNICAL INFORMATION

- Range :** Suction cup
Category : With bellows
Series : 81SB
Height (in mm) : 22
Shape : 1.5 Bellows
Contact lip diameter : 30 mm
inner barrel diameter : 6mm
Number of bellows : 1.5 Bellows
Horizontal force : 32 N
Vertical force : 16 N
Arrow : 8 mm



Variants:



- Variant reference:
81SB 30SLT A
- Color: Translucent
 - CE food certified
 - Matter: Silicone
 - Shore Hardness: SH60



- Variant reference:
81SB 30PU A
- Color: Blue
 - Matter: Polyurethane
 - Shore Hardness: SH60



- Variant reference:
81SB 30NI A
- Color: Black
 - Matter: Nitrile
 - Shore Hardness: SH50

Material guide:

	Material	Code	Temperature resistance (°C)	Flexibility	Abrasion resistance	UV/Weather resistance	Oil resistance	Food compatibility	Migration test
	Silicone Translucent (Shore SH60)	SL T	-60/+250	✓✓✓	✓	✓✓✓	✓	FDA **	✗
	Polyurethane Blue (Shore SH60)	PU	-20/+80	✓	✓✓✓	✓✓	✓✓	✗	✗
	Nitrile Black (Shore SH50)	NI	-10/+80	✓	✓	✗	✓✓	✗	✗

Requests for FDA and/or EC certificates must be made AT THE TIME OF ORDER. Any later request will incur additional charges. To meet the expectations of our industrial customers, NOVACOM offers the widest range of elastomer and thermoplastic materials. We can also develop new materials based on precise specifications, in order to solve specific applications for our customers.

Excellent | Good | Low | Poor | Not recommended
 *FDA and/or EC certificate may be requested for various references at the time of order; please contact us.
 ** Food contact certification: (EC) 1935/2004 - (FDA) 21 CFR 177.2600
 *** Food contact certification: (EC) 10/2011 - (FDA) 21 CFR

Related products:



Adaptor - Female 1/4G - Female M6

Product reference: ADA
G1/4F M6F



Adaptor - Male 1/4G - Female M6

Product reference: ADA
G1/4M M6F



Adaptor - Female 1/8G - Female M6

Product reference: ADA
G1/8F M6F



Adaptor - Male 1/8G - Female M6

Product reference: ADA
G1/8M M6F



Adaptor - Female G1/4" - Female M6

Product reference:
F14F6



Adaptor - Male 1/4G - Female M6

Product reference:
M14F6



Adaptor - Male 1/8G - Female M6

Product reference:
M18F6



Screw M6 - Head Ø 12 mm - L 13 mm

Product reference:
M6T12L13