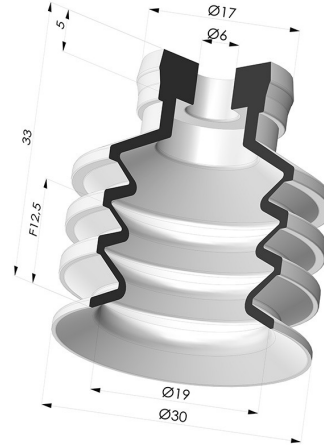


TECHNICAL INFORMATION

Range :	Suction cup
Category :	With bellows
Series :	82SB
Height (in mm) :	33
Shape :	3.5 Bellows
Contact lip diameter :	30 mm
inner barrel diameter :	6mm
Number of bellows :	3.5 Bellows
Horizontal force :	30 N
Vertical force :	15 N
Arrow :	12.5 mm



Variants:



Variant reference:

82SB 30SLT A SH35

- Color: Translucent
- Matter: Silicone
- Shore Hardness: SH35

Related products:



**Adaptor - Female
 G1/4" - Female M6**

Product reference:
 F14F6



**Adaptor - Female
 1/8G - Female M6**

Product reference:
 F18F6



**Adaptor - Male 1/4G
 - Female M6**

Product reference:
 M14F6



**Adaptor - Male 1/8G
 - Female M6**

Product reference:
 M18F6



**Screw M6 - Head Ø
 12 mm - L 13 mm**

Product reference:
 M6T12L13