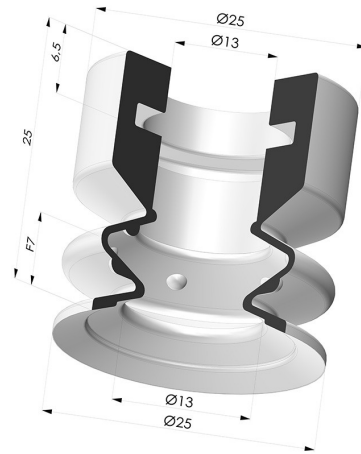


TECHNICAL INFORMATION

Range :	Suction cup
Category :	With bellows
Series :	8
Height (in mm) :	25
Shape :	1.5 Bellows
Contact lip diameter :	25 mm
inner barrel diameter :	13mm
Number of bellows :	1.5 Bellows
Horizontal force :	22 N
Vertical force :	11 N
Arrow :	7 mm



Variants:



Variant reference:

86 25SLT A

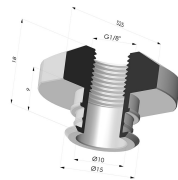
- Color: Translucent
- CE food certified
- Matter: Silicone
- Shore Hardness: SH60

Related products:



Separable Male Fitting 1/4G

Product reference: 9G14-2



Separable Female Fitting 1/8G

Product reference: 9G18-2



Separable Male Fitting 3/8G

Product reference: 9G38-2