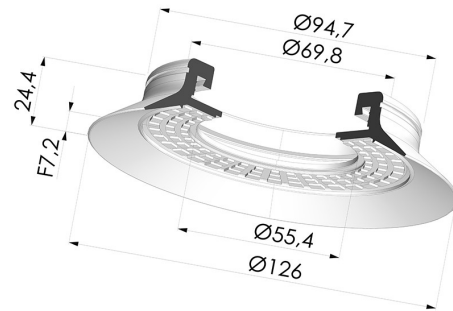


TECHNICAL INFORMATION

Range : Suction cup
Category : Plates
Series : 6S
Height (in mm) : 24.4
Height (in mm) : 24.4
Shape : Plate
Contact lip diameter : 127.2 mm
inner barrel diameter : 69.8 mm
Number of bellows : 0.5 Bellows
Horizontal force : 560 N
Vertical force : 280 N
Arrow : 7 mm



Variants:



Variant reference:

6S 130NR A

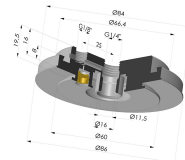
- Color: Gray
- Matter: Natural rubber
- Shore Hardness: SH50

Related products:



Bellow-type seal series TIG Ø 25 mm

Product reference: TIG 25 17



Insert pour ventouse 6S 130

Product reference: INS 6S 130