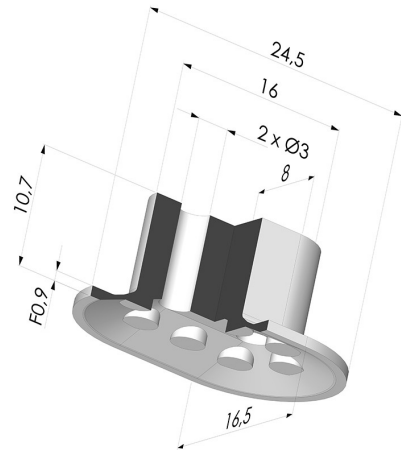


TECHNICAL INFORMATION

Range :	Suction cup
Category :	Oblong
Matter :	Nitrile
Color :	Black
Series :	4
Height (in mm) :	10.7
Shape :	Oblong
Length :	24.5 mm
Width :	16.6 mm
inner barrel diameter :	2x3 mm
Number of bellows :	0.5 Bellows
Horizontal force :	13 N
Vertical force :	6.5 N
Volume :	0.28 cm ³
Mass :	1.4 g
Arrow :	0.9 mm



Variants:



Variant reference:

40C 25NI A

- Color: Black
- Matter: Nitrile
- Shore Hardness: SH50