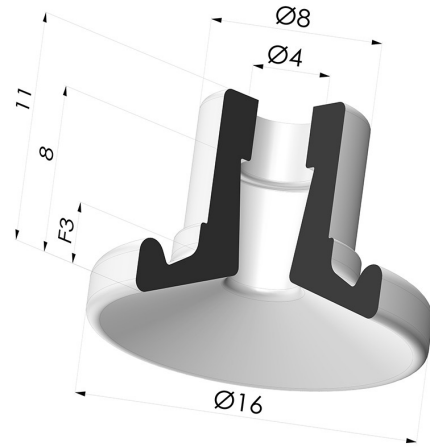


TECHNICAL INFORMATION

Range :	Suction cup
Category :	Plates
Series :	9
Height (in mm) :	11
Shape :	Plate
Contact lip diameter :	16 mm
Top diameter :	4 mm
inner barrel diameter :	4 mm
Number of bellows :	0.5 Bellows
Horizontal force :	8 N
Vertical force :	4 N
Arrow :	3 mm



Variants:



Variant reference:
9 16-3SL A

- Color: Red food-grade CE certification
 - Matter: Silicone
 - Shore Hardness: SH40



Variant reference:
9 16-3NR A

- Color: Gray
 - Matter: Natural rubber
 - Shore Hardness: SH50



Variant reference:
9 16-3MNT A

- Color: Bordeaux
 - Matter: Non-staining material
 - Shore Hardness: SH60