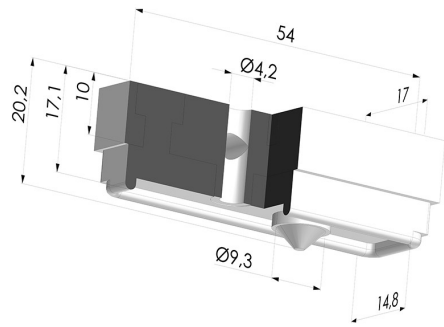


TECHNICAL INFORMATION

Range :	Suction cup
Category :	Oblong
Series :	4
Height (in mm) :	20.2
Shape :	Oblong
Contact lip diameter :	54x14.8 mm
Length :	54 mm
Width :	17 mm
inner barrel diameter :	4.2 mm
Number of bellows :	none
Thread :	M5
Horizontal force :	26 N
Vertical force :	13 N
Volume :	0.94 cm ³
Mass :	13.2 g
Arrow :	0 mm



Variants:



Variant reference:

4 54SLB M5

- Color: White
- FDA and CE food-grade certified
- Matter: Silicone
- Shore Hardness: SH20