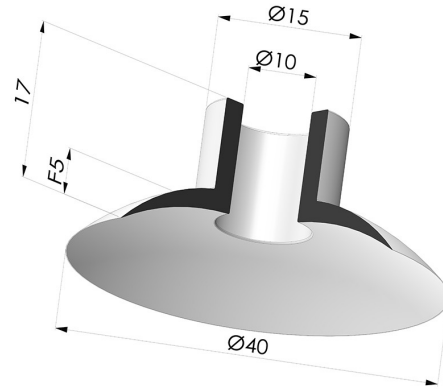


TECHNICAL INFORMATION

Range :	Suction cup
Category :	Plates
Series :	5
Height (in mm) :	16
Shape :	Plate
Contact lip diameter :	39 mm
inner barrel diameter :	10 mm
Number of bellows :	0.5 Bellows
Horizontal force :	57.11 N
Vertical force :	28.55 N
Arrow :	5mm



Variants:



Variant reference:

5V 40SLT A

- Color: Translucent
- CE food certified
- Matter: Silicone
- Shore Hardness: SH60

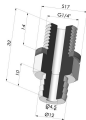


Variant reference:

5V 40NI A

- Color: Black
- Matter: Nitrile
- Shore Hardness: SH50

Related products:



Separable Male Fitting G1/4"

Product reference: M14C17L32