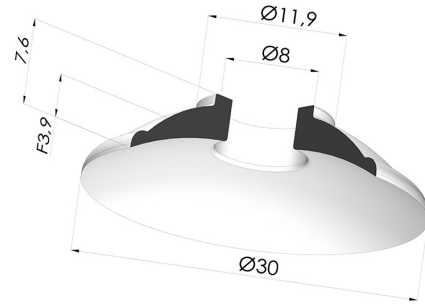
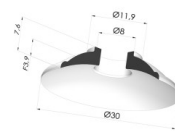


TECHNICAL INFORMATION

- Range :** Suction cup
Category : Plates
Series : 5
Height (in mm) : 7.6
Shape : Plate
Contact lip diameter : 30 mm
Top diameter : 8 mm
inner barrel diameter : 8 mm
Number of bellows : 0.5 Bellows
Horizontal force : 31.78 N
Vertical force : 15.89 N
Arrow : 4mm



Variants:



Variant reference:

5 30-2NI A

- Color: Black
- Matter: Nitrile
- Shore Hardness: SH50

Material guide:

	Material	Code	Temperature resistance (°C)	Flexibility	Abrasion resistance	UV/Weather resistance	Oil resistance	Food compatibility	Migration test
	Nitrile Black (Shore SH50)	NI	-10/+80	✓	✓	✗	✓✓	✗	✗

Requests for FDA and/or EC certificates must be made AT THE TIME OF ORDER. Any later request will incur additional charges. To meet the expectations of our industrial customers, NOVACOM offers the widest range of elastomer and thermoplastic materials. We can also develop new materials based on precise specifications, in order to solve specific applications for our customers.

✓✓✓ Excellent | ✓✓ Good | ✓ Low | ✗ Poor | ✗✗ Not recommended
 *FDA and/or EC certificate may be requested for various references at the time of order; please contact us.
 ** Food contact certification: (EC) 1935/2004 - (FDA) 21 CFR 177.2600
 *** Food contact certification: (EC) 10/2011 - (FDA) 21 CFR

Related products:



Adaptor - Female G1/4" - Female M6
 Product reference: F14F6



Adaptor - Female 1/8G - Female M6
 Product reference: F18F6



Adaptor - Male 1/4G - Female M6
 Product reference: M14F6



Adaptor - Male 1/8G - Female M6
 Product reference: M18F6



Screw M6 - Head Ø 12 mm - L 15 mm
 Product reference: M6T12L15