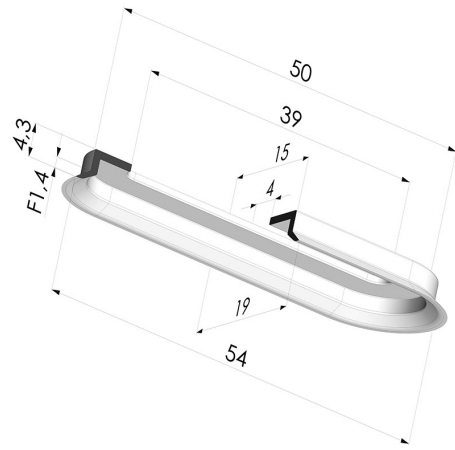


TECHNICAL INFORMATION

Range :	Suction cup
Category :	Oblong
Series :	4
Height (in mm) :	4.3
Shape :	Oblong
Length :	50 mm
Width :	19 mm
inner barrel diameter :	39x5 mm
Number of bellows :	0.5 Bellows
Horizontal force :	40 N
Vertical force :	20 N
Volume :	2.26 cm ³
Mass :	0.96 g
Arrow :	1.4 mm



Variants:



Variant reference:

40B 55NI A

- Color: Black
- Matter: Nitrile
- Shore Hardness: SH50