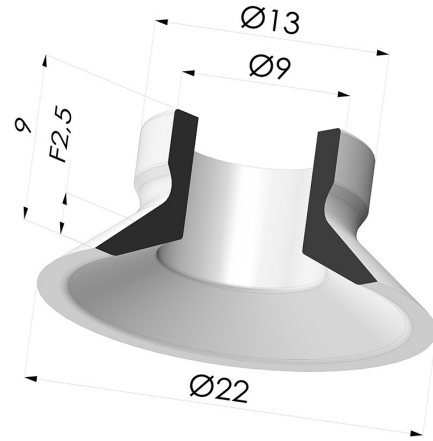


**TECHNICAL INFORMATION**

|                                |             |
|--------------------------------|-------------|
| <b>Range :</b>                 | Suction cup |
| <b>Category :</b>              | Plates      |
| <b>Series :</b>                | 7           |
| <b>Height (in mm) :</b>        | 9.5         |
| <b>Shape :</b>                 | Plate       |
| <b>Contact lip diameter :</b>  | 22 mm       |
| <b>Top diameter :</b>          | 9.2 mm      |
| <b>inner barrel diameter :</b> | 9 mm        |
| <b>Number of bellows :</b>     | 0.5 Bellows |
| <b>Horizontal force :</b>      | 12 N        |
| <b>Vertical force :</b>        | 6 N         |
| <b>Arrow :</b>                 | 2.5 mm      |



**Variants:**



Variant reference:

**78 22NI A SH70**

- Color: Black
- Matter: Nitrile
- Shore Hardness: SH70