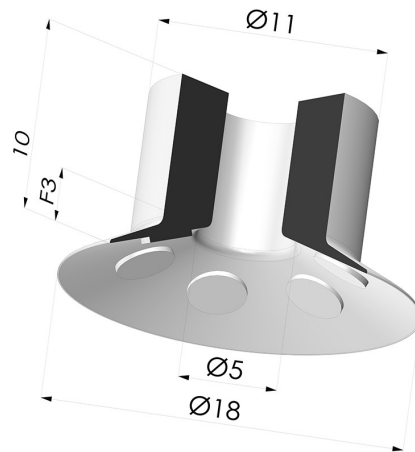


**TECHNICAL INFORMATION**

<b>Range :</b>	Suction cup
<b>Category :</b>	Plates
<b>Series :</b>	7
<b>Height (in mm) :</b>	9.6
<b>Shape :</b>	Plate
<b>Contact lip diameter :</b>	18 mm
<b>inner barrel diameter :</b>	4.8 mm
<b>Number of bellows :</b>	0.5 Bellows
<b>Horizontal force :</b>	11.5 N
<b>Vertical force :</b>	6 N
<b>Arrow :</b>	3 mm



**Variants:**



Variant reference:  
**71 18-2SLT A**

- Color: Translucent
- CE food certified
- Matter: Silicone
- Shore Hardness: SH60