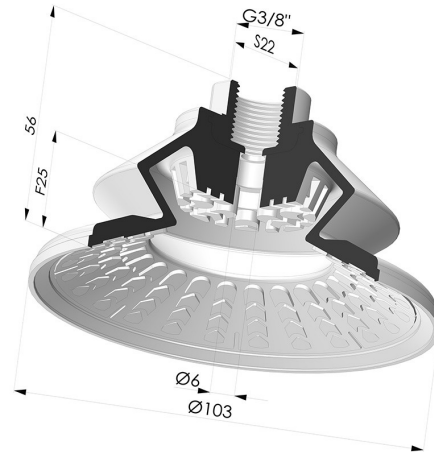


**TECHNICAL INFORMATION**

|                                |              |
|--------------------------------|--------------|
| <b>Range :</b>                 | Suction cup  |
| <b>Category :</b>              | With bellows |
| <b>Series :</b>                | 8R           |
| <b>Height (in mm) :</b>        | 56           |
| <b>Shape :</b>                 | 1.5 Bellows  |
| <b>Contact lip diameter :</b>  | 102 mm       |
| <b>inner barrel diameter :</b> | Female G3/8" |
| <b>Number of bellows :</b>     | 1.5 Bellows  |
| <b>Horizontal force :</b>      | 360 N        |
| <b>Vertical force :</b>        | 180 N        |
| <b>Arrow :</b>                 | 25 mm        |



**Variants:**



Variant reference:

**8R 102NI F38**

- Color: Black
- Matter: Nitrile
- Shore Hardness: SH70