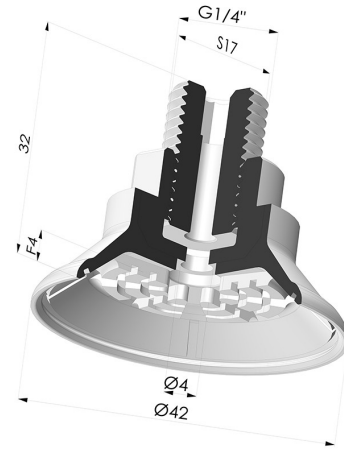


TECHNICAL INFORMATION

Range :	Suction cup
Category :	Plates
Series :	7R
Height (in mm) :	32
Shape :	Plate
Contact lip diameter :	42 mm
Top diameter :	Male G1/4"
inner barrel diameter :	Male G1/4"
Number of bellows :	0.5 Bellows
Horizontal force :	11.5 N
Vertical force :	5 N
Arrow :	4 mm



Variants:



Variant reference:

7R 42NI M14

- Color: Black
- Matter: Nitrile
- Shore Hardness: SH70