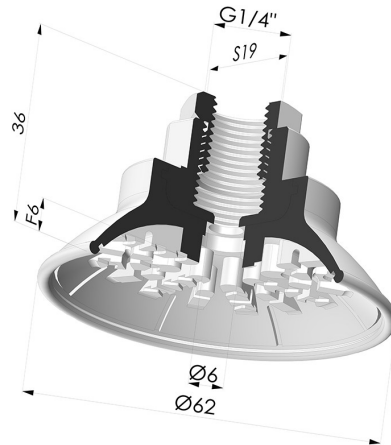
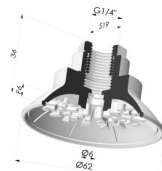


**TECHNICAL INFORMATION**

<b>Range :</b>	Suction cup
<b>Category :</b>	Plates
<b>Series :</b>	7R
<b>Height (in mm) :</b>	36
<b>Shape :</b>	Plate
<b>Contact lip diameter :</b>	62 mm
<b>Top diameter :</b>	Female G1/4"
<b>inner barrel diameter :</b>	Female G1/4"
<b>Number of bellows :</b>	0.5 Bellows
<b>Horizontal force :</b>	126 N
<b>Vertical force :</b>	63 N
<b>Arrow :</b>	6 mm



**Variants:**



Variant reference:

**7R 62NI F14**

- Color: Black
- Matter: Nitrile
- Shore Hardness: SH70

**Related products:**



**Male connection G1/4" - M14M14**

Product reference: M14M14



**Male connection G1/4"-G3/8" - M14M38**

Product reference: M14M38