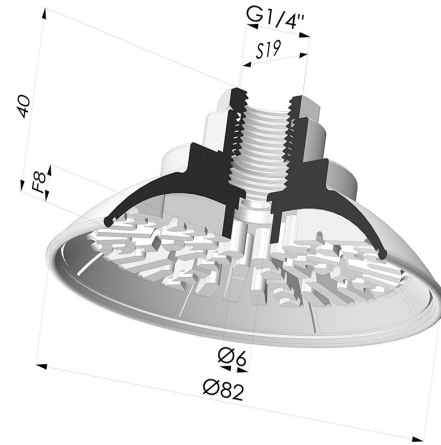


TECHNICAL INFORMATION

Range :	Suction cup
Category :	Plates
Series :	7R
Height (in mm) :	40
Shape :	Plate
Contact lip diameter :	82 mm
Top diameter :	Female G1/4"
inner barrel diameter :	Female G1/4"
Number of bellows :	0.5 Bellows
Horizontal force :	219 N
Vertical force :	109 N
Arrow :	8 mm



Variants:



Variant reference:

7R 82NI F14

- Color: Black
- Matter: Nitrile
- Shore Hardness: SH70

Related products:



Male connection G1/4" - M14M14

Product reference: M14M14



Male connection G1/4"-G3/8" - M14M38

Product reference: M14M38