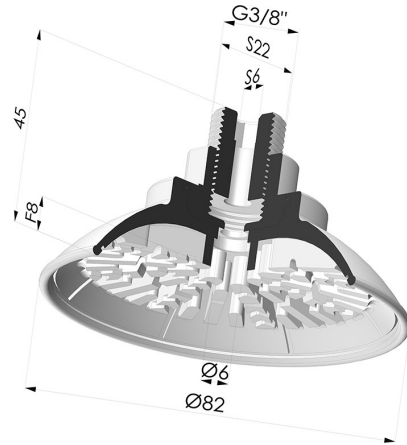


TECHNICAL INFORMATION

Range :	Suction cup
Category :	Plates
Series :	7R
Height (in mm) :	45
Shape :	Plate
Contact lip diameter :	82 mm
Top diameter :	Male G3/8"
inner barrel diameter :	Male G3/8"
Number of bellows :	0.5 Bellows
Horizontal force :	219 N
Vertical force :	109 N
Arrow :	8 mm



Variants:



Variant reference:

7R 82NI M38

- Color: Black
- Matter: Nitrile
- Shore Hardness: SH70