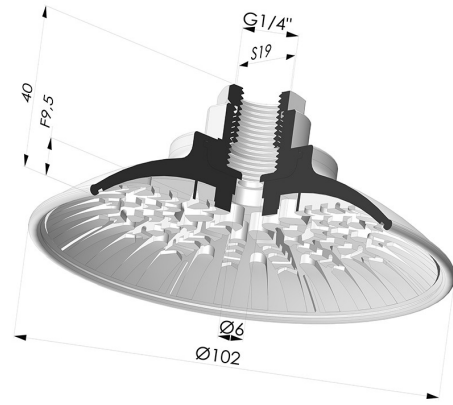
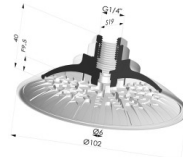


TECHNICAL INFORMATION

Range :	Suction cup
Category :	Plates
Series :	7R
Height (in mm) :	40
Shape :	Plate
Contact lip diameter :	102 mm
Top diameter :	Female G1/4"
inner barrel diameter :	Female G1/4"
Number of bellows :	0.5 Bellows
Horizontal force :	365 N
Vertical force :	183 N
Arrow :	9.5 mm



Variants:



Variant reference:

7R 102NI F14

- Color: Black
- Matter: Nitrile
- Shore Hardness: SH70

Related products:



Male connection G1/4" - M14M14

Product reference: M14M14



Male connection G3/8"-G1/4" - M38M14

Product reference: M38M14