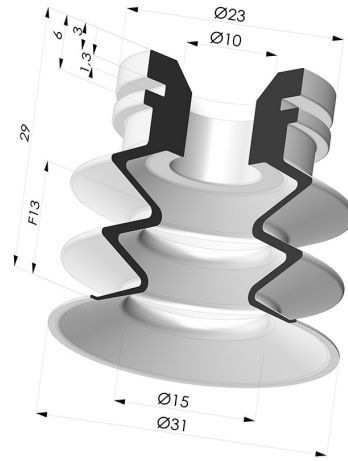


TECHNICAL INFORMATION

Range :	Suction cup
Category :	With bellows
Series :	8SC
Height (in mm) :	29
Shape :	2.5 Bellows
Contact lip diameter :	30 mm
inner barrel diameter :	10mm
Number of bellows :	2.5 Bellows
Horizontal force :	34 N
Vertical force :	17 N
Arrow :	13 mm



Variants:



Variant reference:

8SC 30-2SL A

- Color: Red food-grade CE certification
 - Matter: Silicone
 - Shore Hardness: SH40

Related products:

Separable Female Fitting G1/4"
 Product reference: D

Separable Male Fitting G1/4"
 Product reference: E

Separable Female Fitting G1/8"
 Product reference: H

Separable Male Fitting G1/8"
 Product reference: I

Separable Male Fitting M6
 Product reference: M6C17