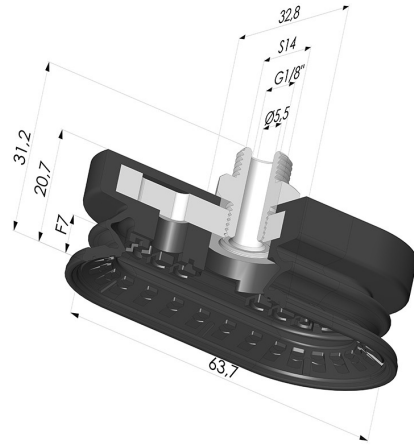


**TECHNICAL INFORMATION**

<b>Range :</b>	Suction cup
<b>Category :</b>	Oblong
<b>Series :</b>	4R
<b>Height (in mm) :</b>	31.2
<b>Shape :</b>	Oblong 1.5 Bellows
<b>Length :</b>	63
<b>Width :</b>	32.8 mm
<b>inner barrel diameter :</b>	Male G1/8"
<b>Number of bellows :</b>	1.5 Bellows
<b>Horizontal force :</b>	78N
<b>Vertical force :</b>	39N
<b>Arrow :</b>	7mm



**Variants:**



Variant reference:

**4R 62NR M18**

- Color: Black
- Matter: Natural rubber
- Shore Hardness: SH70



Variant reference:

**4R 62NI M18**

- Color: Black
- Matter: Nitrile
- Shore Hardness: SH70