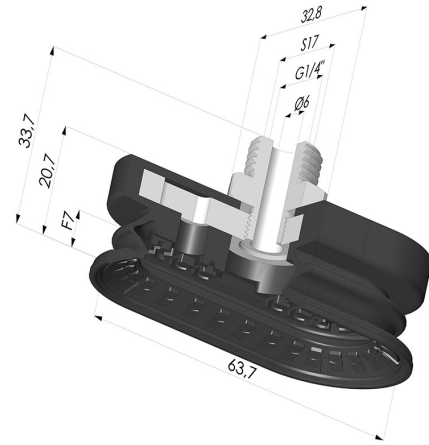


TECHNICAL INFORMATION

Range :	Suction cup
Category :	Oblong
Series :	4R
Height (in mm) :	33.7
Shape :	Oblong 1.5 Bellows
Length :	63
Width :	32.8 mm
inner barrel diameter :	Male G1/8"
Number of bellows :	1.5 Bellows
Horizontal force :	78N
Vertical force :	39N
Arrow :	7mm



Variants:



Variant reference:

4R 62NR M14

- Color: Black
- Matter: Natural rubber
- Shore Hardness: SH70



Variant reference:

4R 62NI M14

- Color: Black
- Matter: Nitrile
- Shore Hardness: SH70