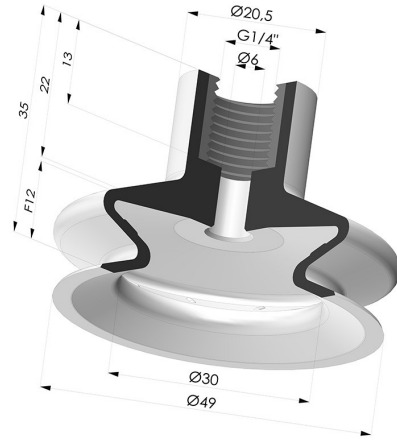


TECHNICAL INFORMATION

Range : Suction cup
Category : With bellows
Series : 8A
Height (in mm) : 35
Shape : 1.5 Bellows
Contact lip diameter : 49 mm
inner barrel diameter : Female G1/4"
Number of bellows : 1.5 Bellows
Horizontal force : 68 N
Vertical force : 34 N
Arrow : 12 mm



Variants:



Variant reference:
8A 50NI F14

- Color: Black
- Matter: Nitrile
- Shore Hardness: SH50



Variant reference:
8A 50SLT F14

- Color: Translucent
- CE food certified
- Matter: Silicone
- Shore Hardness: SH60



Variant reference:
8A 50CN F14

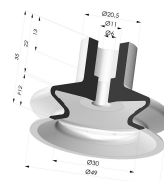
- Color: Brown FDA food certified
- Matter: Natural rubber
- Shore Hardness: SH35

Related products:



1.5 Bellows Suction Cup Series 8A Ø 49MM

Product reference: 8A 50-- M14



Bellows Suction Cup 1.5 folds Series 8A, Ø 50 mm

Product reference: 8A 50-- A