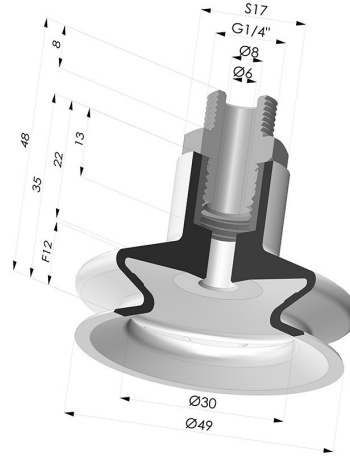


TECHNICAL INFORMATION

- Range :** Suction cup
Category : With bellows
Series : 8A
Height (in mm) : 48
Shape : 1.5 Bellows
Contact lip diameter : 49 mm
inner barrel diameter : Male G1/4"
Number of bellows : 1.5 Bellows
Horizontal force : 68 N
Vertical force : 34 N
Arrow : 12 mm



Variants:



- Variant reference:
8A 50SLT M14
- Color: Translucent
 - CE food certified
 - Matter: Silicone
 - Shore Hardness: SH60



- Variant reference:
8A 50CN M14
- Color: Brown FDA food certified
 - Matter: Natural rubber
 - Shore Hardness: SH35



- Variant reference:
8A 50NI M14
- Color: Black
 - Matter: Nitrile
 - Shore Hardness: SH50

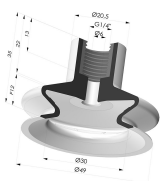
Material guide:

	Material	Code	Temperature resistance (°C)	Flexibility	Abrasion resistance	UV/Weather resistance	Oil resistance	Food compatibility	Migration test
	Silicone Translucent (Shore SH60)	SL T	-60/+250	✓✓✓	✓	✓✓✓	✓	FDA **	✗
	Natural rubber Brown FDA food certified (Shore SH35)	CN	-20/+70	✓✓✓	✓✓	✗✗	✗✗	FDA **	✗
	Nitrile Black (Shore SH50)	NI	-10/+80	✓	✓	✗	✓✓	✗	✗

Requests for FDA and/or EC certificates must be made AT THE TIME OF ORDER. Any later request will incur additional charges. To meet the expectations of our industrial customers, NOVACOM offers the widest range of elastomer and thermoplastic materials. We can also develop new materials based on precise specifications, in order to solve specific applications for our customers.

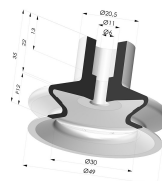
Excellent | Good | Low | Poor | Not recommended
 *FDA and/or EC certificate may be requested for various references at the time of order; please contact us.
 ** Food contact certification: (EC) 1935/2004 - (FDA) 21 CFR 177.2600
 *** Food contact certification: (EC) 10/2011 - (FDA) 21 CFR

Related products:



Bellows Suction Cup 1.5 folds Series 8A, Ø 50 mm

Product reference: 8A 50-- F14



Bellows Suction Cup 1.5 folds Series 8A, Ø 50 mm

Product reference: 8A 50-- A