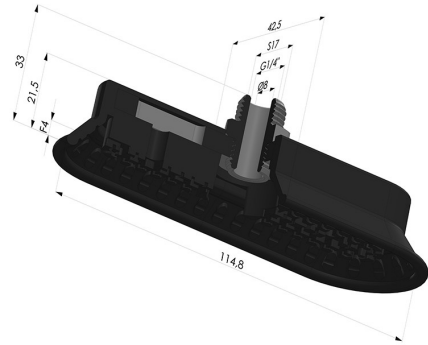


TECHNICAL INFORMATION

Range :	Suction cup
Category :	Oblong
Series :	4OF
Height (in mm) :	33
Shape :	Oblong
Length :	115mm
Width :	43mm
inner barrel diameter :	Male G1/4"
Number of bellows :	0.5 Bellows
Horizontal force :	168N
Vertical force :	84N
Arrow :	4mm



Variants:



Variant reference:

4OF 110NI M14

- Color: Black
- Matter: Nitrile
- Shore Hardness: SH50