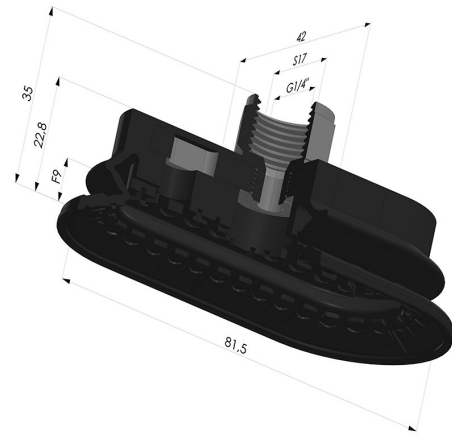


**TECHNICAL INFORMATION**

**Range :** Suction cup  
**Category :** Oblong  
**Series :** 4R  
**Height (in mm) :** 35  
**Shape :** Oblong 1.5 Bellows  
**Length :** 81.5mm  
**Width :** 42mm  
**inner barrel diameter :** Female G1/4"  
**Number of bellows :** 1.5 Bellows  
**Horizontal force :** 94N  
**Vertical force :** 47N  
**Arrow :** 9mm



**Variants:**



Variant reference:

**4R 82NI F14**

- Color: Black
- Matter: Nitrile
- Shore Hardness: SH70