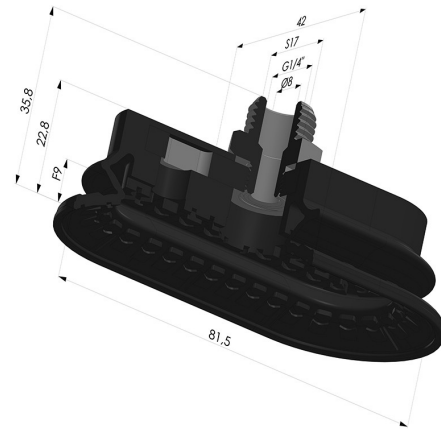


**TECHNICAL INFORMATION**

<b>Range :</b>	Suction cup
<b>Category :</b>	Oblong
<b>Series :</b>	4R
<b>Height (in mm) :</b>	36
<b>Shape :</b>	Oblong 1.5 Bellows
<b>Length :</b>	81.5mm
<b>Width :</b>	42mm
<b>inner barrel diameter :</b>	Male G1/4"
<b>Number of bellows :</b>	1.5 Bellows
<b>Horizontal force :</b>	94N
<b>Vertical force :</b>	47N
<b>Arrow :</b>	9mm



**Variants:**



Variant reference:

**4R 82NI M14**

- Color: Black
- Matter: Nitrile
- Shore Hardness: SH70