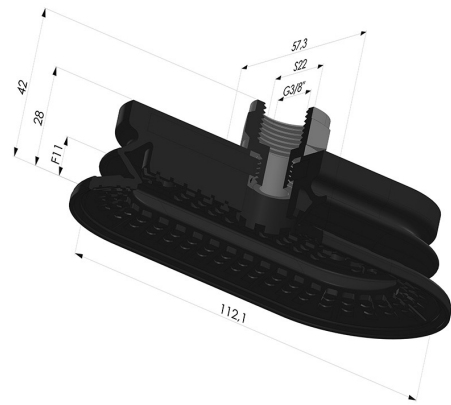


TECHNICAL INFORMATION

Range : Suction cup
Category : Oblong
Series : 4R
Height (in mm) : 42
Shape : Oblong 1.5 Bellows
Length : 112mm
Width : 57mm
inner barrel diameter : Female G3/8"
Number of bellows : 1.5 Bellows
Horizontal force : 180N
Vertical force : 90N
Arrow : 11mm



Variants:



Variant reference:

4R 112NI F38

- Color: Black
- Matter: Nitrile
- Shore Hardness: SH70