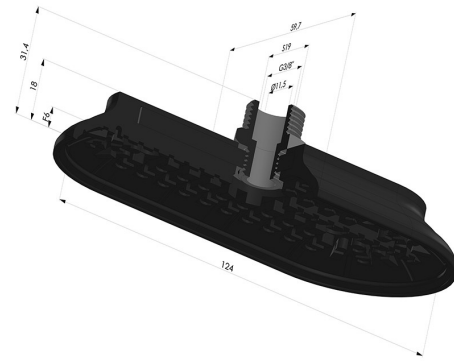


**TECHNICAL INFORMATION**

<b>Range :</b>	Suction cup
<b>Category :</b>	Oblong
<b>Series :</b>	4RP
<b>Height (in mm) :</b>	31
<b>Shape :</b>	Oblong
<b>Length :</b>	124mm
<b>Width :</b>	60mm
<b>inner barrel diameter :</b>	Male G3/8"
<b>Number of bellows :</b>	0.5 Bellows
<b>Horizontal force :</b>	300N
<b>Vertical force :</b>	150N
<b>Arrow :</b>	6mm



**Variants:**



Variant reference:

**4RP 122NI M38**

- Matter: Nitrile
- Shore Hardness: SH70