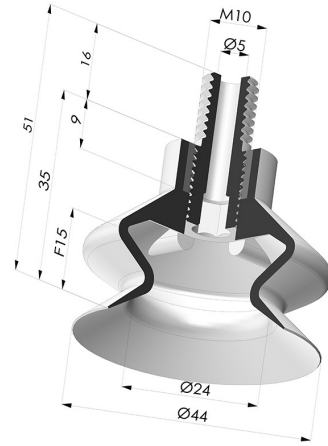


TECHNICAL INFORMATION

Range : Suction cup
Category : With bellows
Series : 8A
Height (in mm) : 51
Shape : 1.5 Bellows
Contact lip diameter : 44 mm
inner barrel diameter : Male M10
Number of bellows : 1.5 Bellows
Outer diameter : 44 mm
Horizontal force : 69N
Vertical force : 34.5N
Arrow : 15mm



Variants:



Variant reference:
8A 44SLT M10

- Color: Translucent
- CE food certified
- Matter: Silicone
- Shore Hardness: SH60



Variant reference:
8A 44NI M10

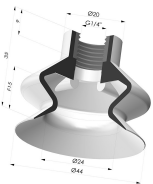
- Color: Black
- Matter: Nitrile
- Shore Hardness: SH50



Variant reference:
8A 44CN M10

- Color: Brown FDA food certified
- Matter: Natural rubber
- Shore Hardness: SH35

Related products:



Bellows Suction Cup 1.5 folds Series 8A, Ø 44 mm

Product reference: 8A 44-- F14