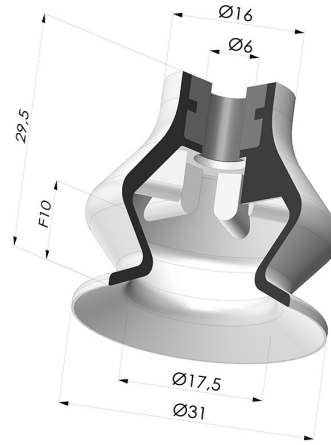


TECHNICAL INFORMATION

Range :	Suction cup
Category :	With bellows
Series :	8C
Height (in mm) :	29,5
Shape :	1.5 Bellows
Contact lip diameter :	31 mm
inner barrel diameter :	6 mm
Number of bellows :	1.5 Bellows
Horizontal force :	33 N
Vertical force :	16.5 N
Arrow :	10 mm



Variants:



Variant reference:

8C 32CN SPF6 SPH30

- Color: Brown FDA food certified
 - Matter: Natural rubber
 - Shore Hardness: SH35



Variant reference:

8C 32NI SPF6 SPH30

- Color: Black
 - Matter: Nitrile
 - Shore Hardness: SH50