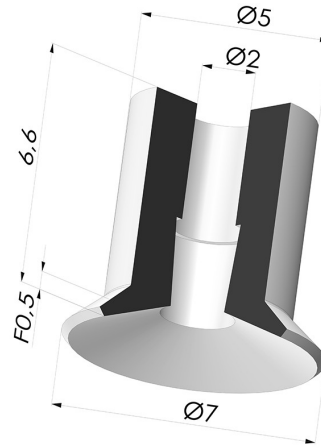


**TECHNICAL INFORMATION**

<b>Range :</b>	Suction cup
<b>Category :</b>	Plates
<b>Series :</b>	5
<b>Height (in mm) :</b>	6.5
<b>Shape :</b>	Plate
<b>Contact lip diameter :</b>	7 mm
<b>inner barrel diameter :</b>	2 mm
<b>Number of bellows :</b>	0.5 Bellows
<b>Outer diameter :</b>	7 mm
<b>Horizontal force :</b>	1.75 N
<b>Vertical force :</b>	0.87 N
<b>Arrow :</b>	0.5 mm



**Variants:**



Variant reference:

**5 07NI A**

- Color: Black
- Matter: Nitrile
- Shore Hardness: SH50



Variant reference:

**5 07SLT A**

- Color: Translucent
- CE food certified
- Matter: Silicone
- Shore Hardness: SH40

**Related products:**



**Separable Male Fitting M5**

Product reference: 9MM5