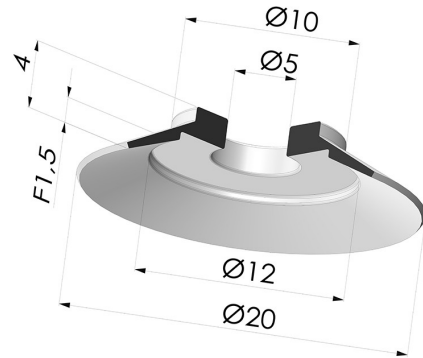


TECHNICAL INFORMATION

Range :	Suction cup
Category :	Plates
Series :	7
Height (in mm) :	4
Shape :	Plate
Contact lip diameter :	20 mm
inner barrel diameter :	5 mm
Number of bellows :	0.5 Bellows
Outer diameter :	20 mm
Horizontal force :	13.5 N
Vertical force :	6.75 N
Arrow :	1.5 mm



Variants:



Variant reference:

70 20NI A

- Color: Black
- Matter: Nitrile
- Shore Hardness: SH50



Variant reference:

70 20SLT A

- Color: Translucent
- CE food certified
- Matter: Silicone
- Shore Hardness: SH40