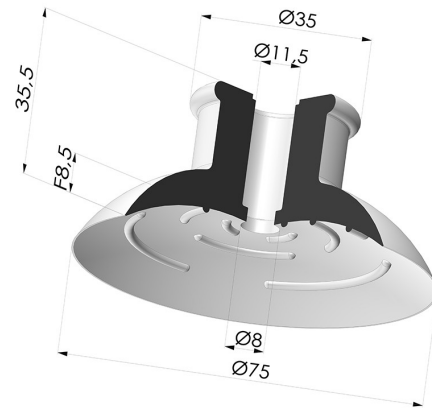


TECHNICAL INFORMATION

Range :	Suction cup
Category :	Plates
Series :	7
Height (in mm) :	35.5
Shape :	Plate
Contact lip diameter :	75 mm
inner barrel diameter :	11.5 mm
Number of bellows :	0.5 Bellows
Outer diameter :	75 mm
Horizontal force :	200 N
Vertical force :	100 N
Arrow :	8.5 mm



Variants:

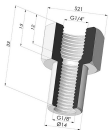


Variant reference:

7 75CN A

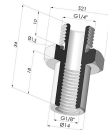
- Color: Brown FDA food certified
 - Matter: Natural rubber
 - Shore Hardness: SH35

Related products:



Crimped Female Fitting G1/4"

Product reference: N



Crimped Male Fitting G1/4"

Product reference: O