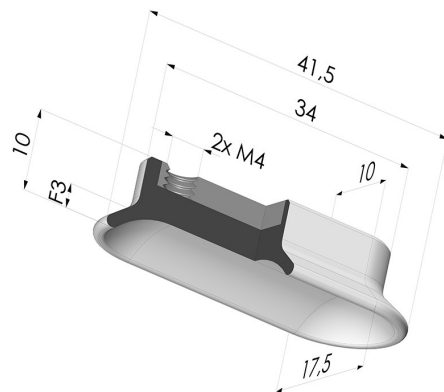


TECHNICAL INFORMATION

Range :	Suction cup
Category :	Oblong
Series :	4
Height (in mm) :	10
Shape :	Oblong
Contact lip diameter :	41.5 x 17.5 mm
Length :	41.5 mm
Width :	17.5 mm
inner barrel diameter :	2x4M
Number of bellows :	0.5 Bellows
Horizontal force :	13.25 N
Vertical force :	1.76 N
Arrow :	26.5 mm



Variants:



- Color: Translucent
- CE food certified
- Matter: Silicone
- Shore Hardness: SH60