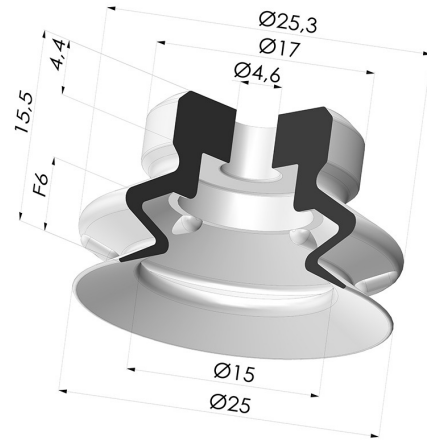


TECHNICAL INFORMATION

- Range :** Suction cup
Category : With bellows
Series : PJG
Height (in mm) : 15.5
Shape : 1.5 Bellows
Contact lip diameter : 25 mm
inner barrel diameter : 5 mm
Number of bellows : 1.5 Bellows
Outer diameter : 25 mm
Horizontal force : 21.5 N
Vertical force : 11 N
Arrow : 6 mm



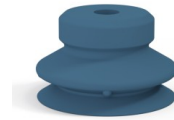
Variants:



- Variant reference:
PJG 25NI A
- Color: Black
 - Matter: Nitrile
 - Shore Hardness: SH50



- Variant reference:
PJG 25SLT A
- Color: Translucent
 - CE food certified
 - Matter: Silicone
 - Shore Hardness: SH60



- Variant reference:
PJG 25SLDB A SH60
- Color: Blue food-grade CE certification
 - Matter: Detectable silicone
 - Shore Hardness: SH60

Material guide:

	Material	Code	Temperature resistance (°C)	Flexibility	Abrasion resistance	UV/Weather resistance	Oil resistance	Food compatibility	Migration test
	Nitrile Black (Shore SH50)	NI	-10/+80	✓	✓	✗	✓✓	✗	✗
	Silicone Translucent (Shore SH60)	SL T	-60/+250	✓✓✓	✓	✓✓✓	✓	FDA **	✗
	Detectable silicone Blue food-grade CE certification (Shore SH60)	SLDB	-60/+250	✓✓✓	✗	✓✓✓	✗	FDA **	✗

Requests for FDA and/or EC certificates must be made AT THE TIME OF ORDER. Any later request will incur additional charges. To meet the expectations of our industrial customers, NOVACOM offers the widest range of elastomer and thermoplastic materials. We can also develop new materials based on precise specifications, in order to solve specific applications for our customers.

Excellent | Good | Low | Poor | Not recommended
 *FDA and/or EC certificate may be requested for various references at the time of order; please contact us.
 ** Food contact certification: (EC) 1935/2004 - (FDA) 21 CFR 177.2600
 *** Food contact certification: (EC) 10/2011 - (FDA) 21 CFR

Related products:



Adaptor - Female 1/4G - Female M6

Product reference: ADA
G1/4F M6F



Adaptor - Male 1/4G - Female M6

Product reference: ADA
G1/4M M6F



Adaptor - Female 1/8G - Female M6

Product reference: ADA
G1/8F M6F



Adaptor - Male 1/8G - Female M6

Product reference: ADA
G1/8M M6F



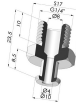
Separable Female Fitting 1/4G

Product reference: FTF
20B G1/4



Separable Female Fitting 1/8G

Product reference: FTF
20B G1/8



Separable Male Fitting 1/4G

Product reference: FTM
20B G1/4



Separable Male Fitting 1/8G

Product reference: FTM
20B G1/8



Screw M6 - Head Ø 11 mm - L 17 mm

Product reference: SCR
20B M6M