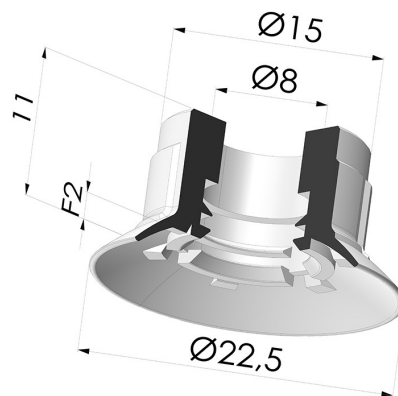


TECHNICAL INFORMATION

Range :	Suction cup
Category :	Plates
Series :	7SP
Height (in mm) :	11
Shape :	Plate
Contact lip diameter :	22.5 mm
inner barrel diameter :	8 mm
Number of bellows :	0.5 Bellows
Outer diameter :	22.5 mm
Horizontal force :	17 N
Vertical force :	8.5 N
Arrow :	2 mm



Variants:



Variant reference:

7SP 20TPU A

- Color: Translucent
- Matter: Thermoplastic
- Shore Hardness: SH70