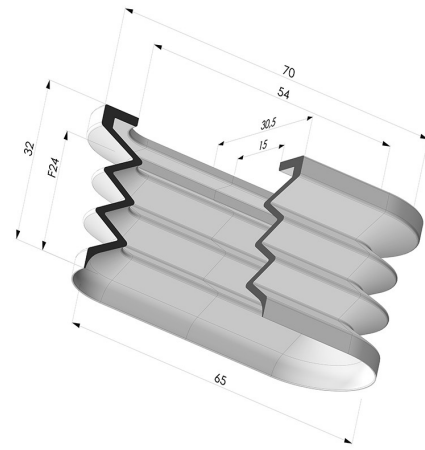
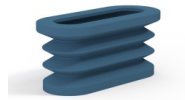


TECHNICAL INFORMATION

Range :	Suction cup
Category :	Rectangular
Series :	4PA
Height (in mm) :	32
Shape :	Oblong
Shape :	2.5 Bellows
Contact lip diameter :	65x30.5 mm
Length :	65 mm
Width :	30.5 mm
inner barrel diameter :	54x15 mm
Number of bellows :	2.5 Bellows
Horizontal force :	91.75 N
Vertical force :	45 N
Arrow :	24 mm



Variants:



Variant reference:

4PA65 25 32SLDB A

- Color: Blue food-grade CE certification
- Matter: Detectable silicone
- Shore Hardness: SH60