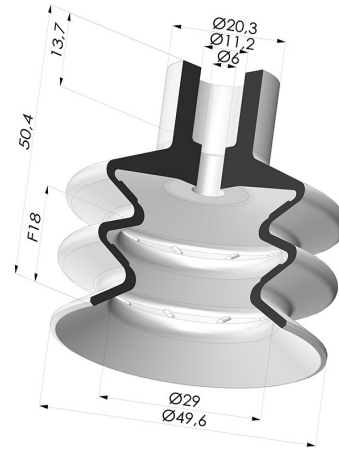


TECHNICAL INFORMATION

Range :	Suction cup
Category :	With bellows
Series :	8B
Height (in mm) :	50.4
Shape :	2.5 Bellows
Contact lip diameter :	50 mm
inner barrel diameter :	6mm
Number of bellows :	2.5 Bellows
Horizontal force :	82 N
Vertical force :	41 N
Arrow :	18 mm



Variants:



Variant reference:
8B 50CN A

- Color: Brown FDA food certified
- Matter: Natural rubber
- Shore Hardness: SH35



Variant reference:
8B 50NI A

- Color: Black
- Matter: Nitrile
- Shore Hardness: SH50



Variant reference:
8B 50SLT A

- Color: Translucent
- CE food certified
- Matter: Silicone
- Shore Hardness: SH60