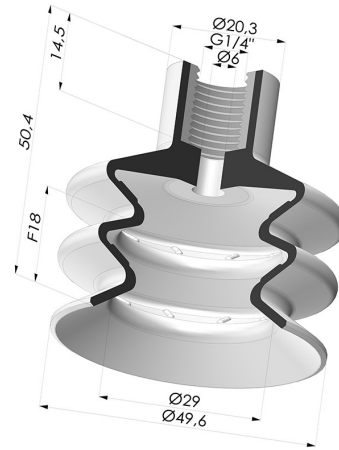


TECHNICAL INFORMATION

Range : Suction cup
Category : With bellows
Series : 8B
Height (in mm) : 50.4
Shape : 2.5 Bellows
Contact lip diameter : 50 mm
inner barrel diameter : Female G1/4"
Number of bellows : 2.5 Bellows
Horizontal force : 82 N
Vertical force : 41 N
Arrow : 18 mm



Variants:



Variant reference:
8B 50SLT F14

- Color: Translucent
- CE food certified
- Matter: Silicone
- Shore Hardness: SH60



Variant reference:
8B 50CN F14

- Color: Brown FDA food certified
- Matter: Natural rubber
- Shore Hardness: SH35



Variant reference:
8B 50NI F14

- Color: Black
- Matter: Nitrile
- Shore Hardness: SH50