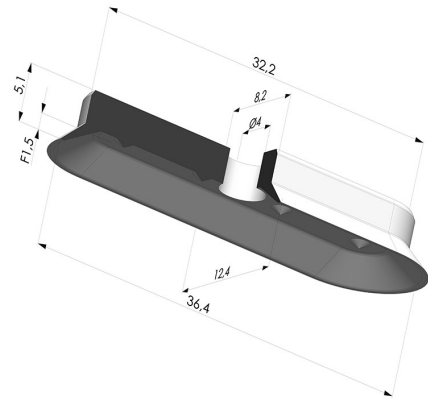


**TECHNICAL INFORMATION**

<b>Range :</b>	Suction cup
<b>Category :</b>	Oblong
<b>Series :</b>	4V
<b>Height (in mm) :</b>	5
<b>Shape :</b>	Oblong
<b>Length :</b>	36 mm
<b>Width :</b>	12 mm
<b>inner barrel diameter :</b>	4 mm
<b>Number of bellows :</b>	0.5 Bellows
<b>Horizontal force :</b>	18.24 N
<b>Vertical force :</b>	9.12 N
<b>Arrow :</b>	1.5 mm



**Variants:**



Variant reference:

**4V 36-2SLT A**

- Color: Translucent
- CE food certified
- Matter: Silicone
- Shore Hardness: SH60