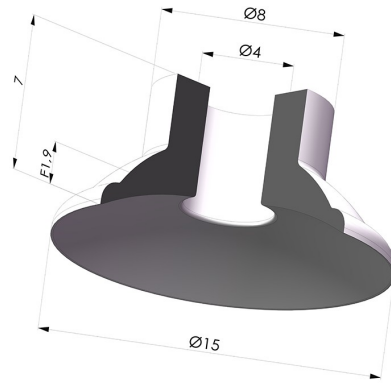


**TECHNICAL INFORMATION**

<b>Range :</b>	Suction cup
<b>Category :</b>	Plates
<b>Series :</b>	5
<b>Height (in mm) :</b>	7
<b>Shape :</b>	Plate
<b>Contact lip diameter :</b>	15 mm
<b>inner barrel diameter :</b>	4 mm
<b>Number of bellows :</b>	0.5 Bellows
<b>Outer diameter :</b>	15 mm
<b>Horizontal force :</b>	8.03 N
<b>Vertical force :</b>	4.02 N
<b>Arrow :</b>	1.9 mm



**Variants:**



Variant reference:

**5 15-2SLB A**

- Color: White
- FDA and CE food-grade certified
- Matter: Silicone
- Shore Hardness: SH40

**Related products:**



**Separable Male Fitting M5**

Product reference: 9MM5



**Separable Female Fitting  
G1/8"**

Product reference: F18C12L20



**Separable Male Fitting  
G1/8"**

Product reference: M18C12L20



**Screw M4 - Head Ø 8 mm -  
L 16.5 mm**

Product reference: M4T8L16.5