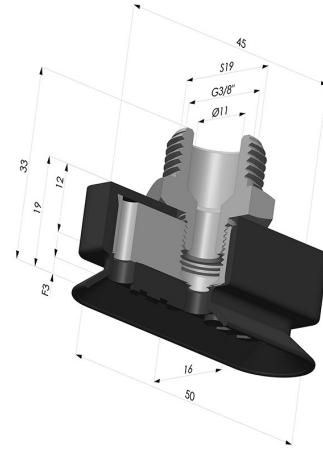
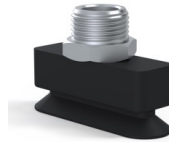


TECHNICAL INFORMATION

Range : Suction cup
Category : Oblong
Series : 4RP
Height (in mm) : 33
Shape : Oblong
Length : 50mm
Width : 16mm
inner barrel diameter : Male G3/8"
Number of bellows : 0.5 Bellows
Horizontal force : 40N
Vertical force : 20N
Arrow : 3mm



Variants:



Variant reference:

4RP 52NI M38

- Matter: Nitrile
- Shore Hardness: SH70