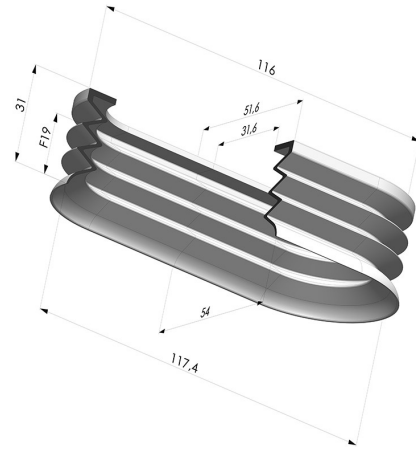


**TECHNICAL INFORMATION**

<b>Range :</b>	Suction cup
<b>Category :</b>	Oblong
<b>Series :</b>	4PA
<b>Height (in mm) :</b>	31
<b>Shape :</b>	Oblong
<b>Length :</b>	117 mm
<b>Width :</b>	54 mm
<b>inner barrel diameter :</b>	116x31.6 mm
<b>Number of bellows :</b>	2.5 Bellows
<b>Horizontal force :</b>	260 N
<b>Vertical force :</b>	130 N
<b>Arrow :</b>	19 mm



**Variants:**



Variant reference:

**4PA118 54 31SLDB A**

- Color: Blue food-grade CE certification
- Matter: Detectable silicone
- Shore Hardness: SH60